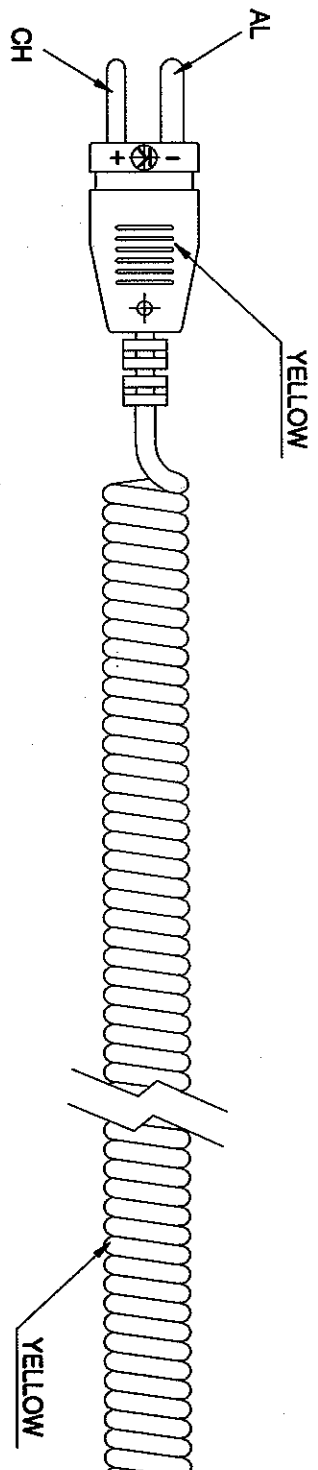
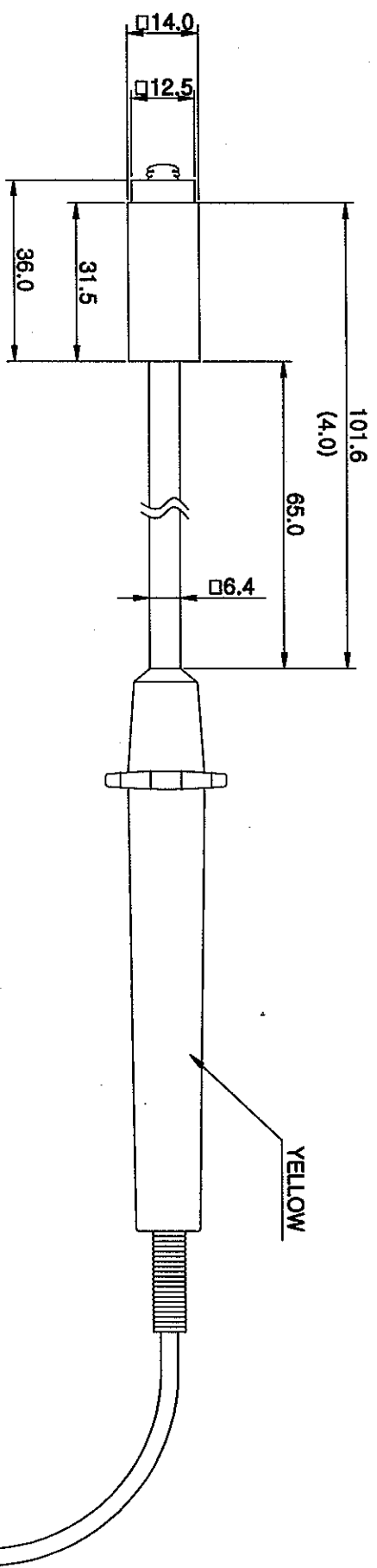


TYPE	SENSOR	CONNECTOR	RANGE	STEM LENGTH	DIAMETER	LEAD LENGTH	MATERIAL
CONTACT(SURFACE)	K-TYPE	SUB-MINI	-50C TO 650C	4 inch	6.4mm/m	1 meter	CH(+), AL(-)



mm
(inch)

BUYER	SUMMIT	---	---	3rd ANGLE PROJECTION	UNIT	mm	TOLERANCE	±0.1	SCALE	N / S	MATERIAL
MODEL	STP162	---	---	DRAWN BY	CHECKED BY		APPROVED BY		NAME	SENSOR PROBE	
				M-S-HUR					DWG No.	STP162-00-00	
				1998.09.18							

SUMMIT CO., LTD